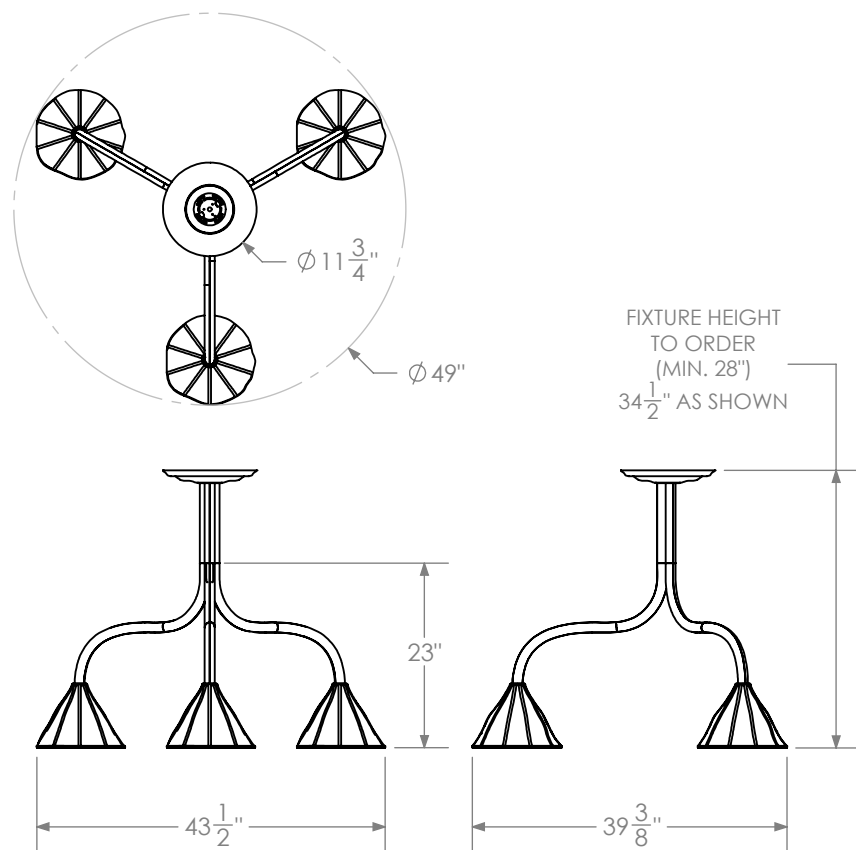


MULBERRY CONE PENDANT - TRIO



Sinuous curves of carved hardwood terminate in hand-upholstered conical silk shades, with a classically inspired wood ceiling rose. Inside each shade, a hand blown white glass teardrop houses the light source.



Materials

Wood
Aluminum
Steel
Silk
Glass

Standard Finishes

White Oak or Black Walnut
Cream Silk
Cream or White Lining
White Glossy Glass

Dimensions

49" W x 49" D x 23" H
Overall height to order - minimum 28"

Notes

Lamping: 3 dimmable hardwired LED modules. Each 18V, 6.3W, 748 lumens, 2700K color temperature.

120V/240VAC compatible transformer included, housed in canopy.

We offer two different lampshade linings, a cream option which gives it a warmer glow, or white option which gives it a white glow. The cream silk is the same for either option.

Retail

\$15,750

Lead Time

14-16 weeks

Customization Available - please contact us. **Weight** ~20 lbs